

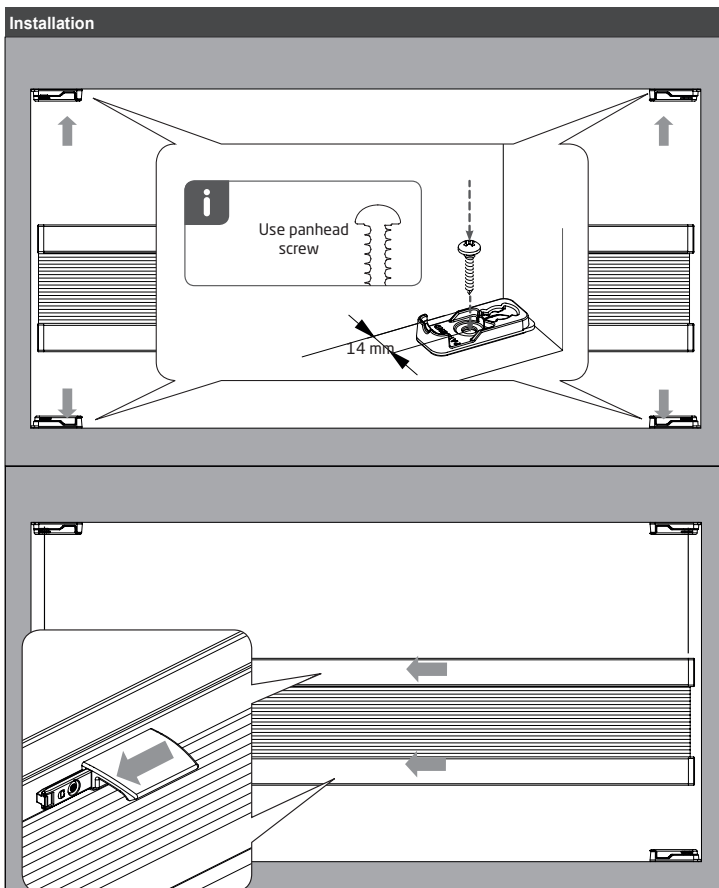
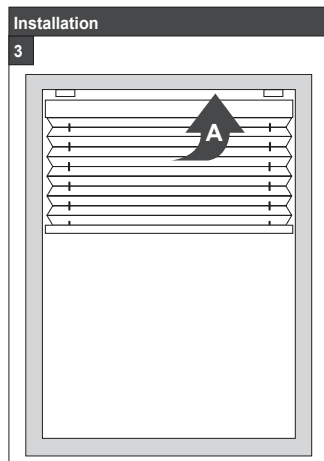
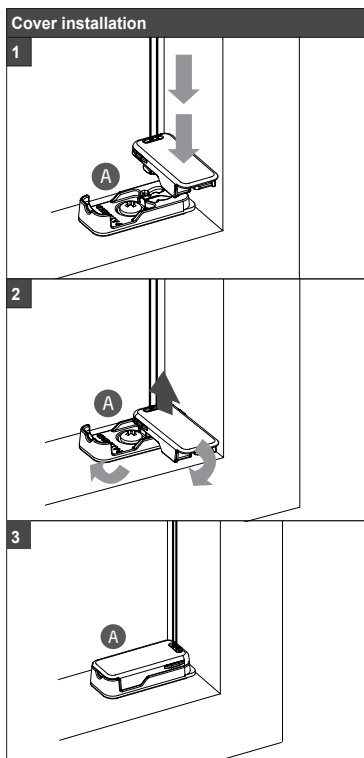
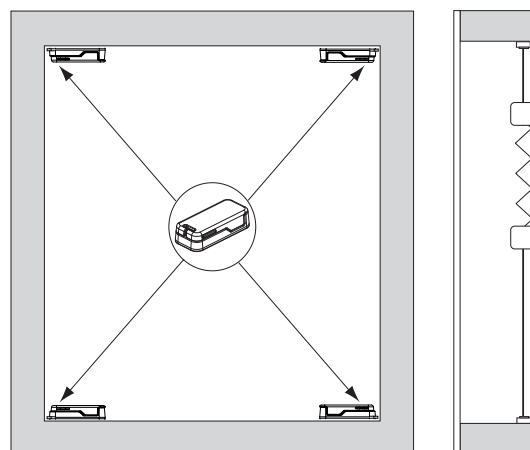
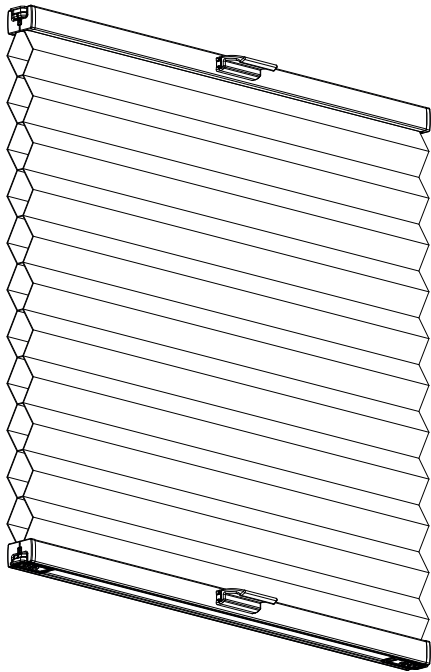




Number of parts	
	
4	4



# INSTALLATION MANUAL

## HANDGRIP window frame / wall



Number of parts	
	
4	4

